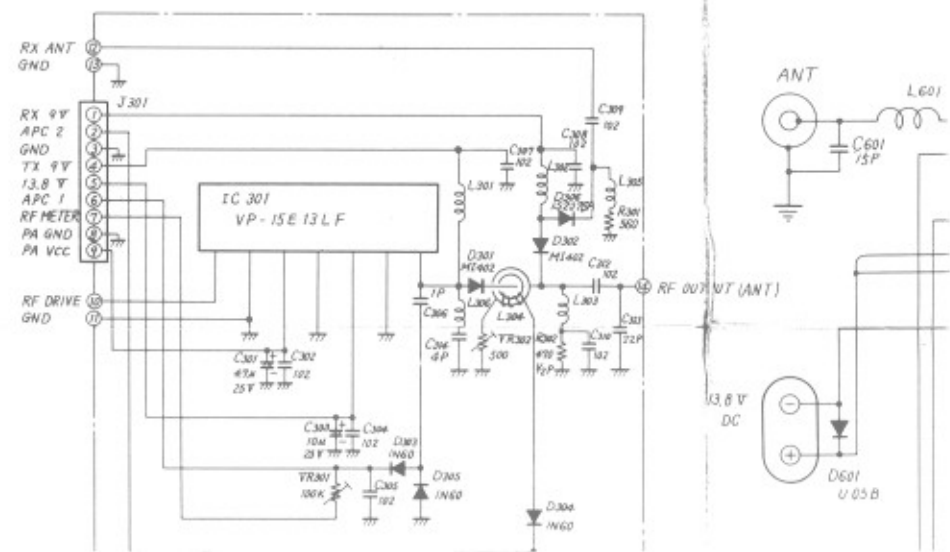
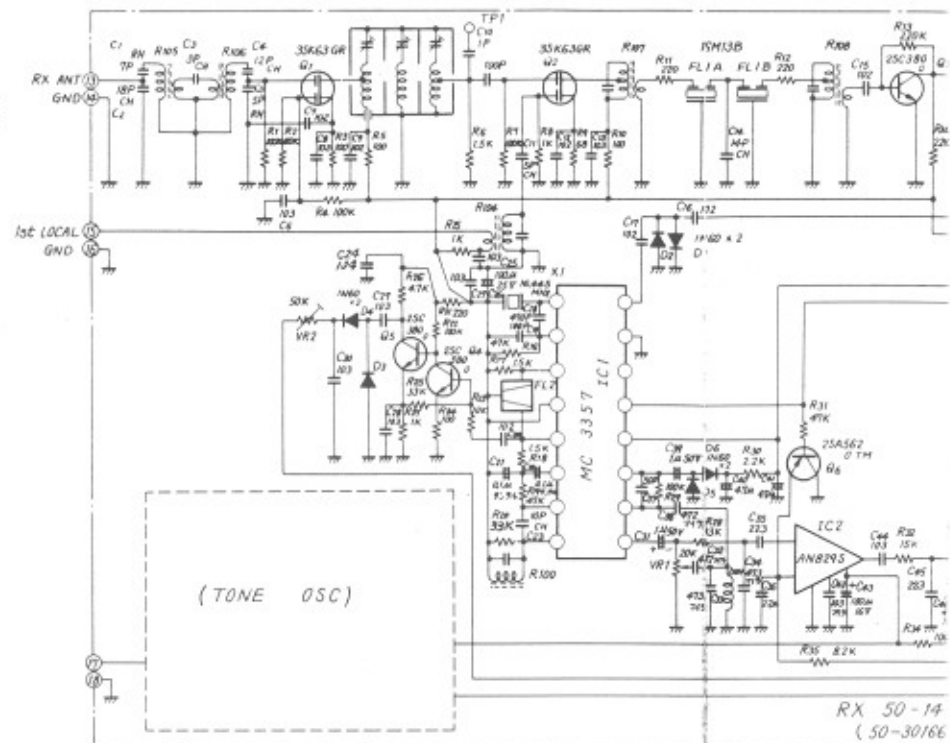
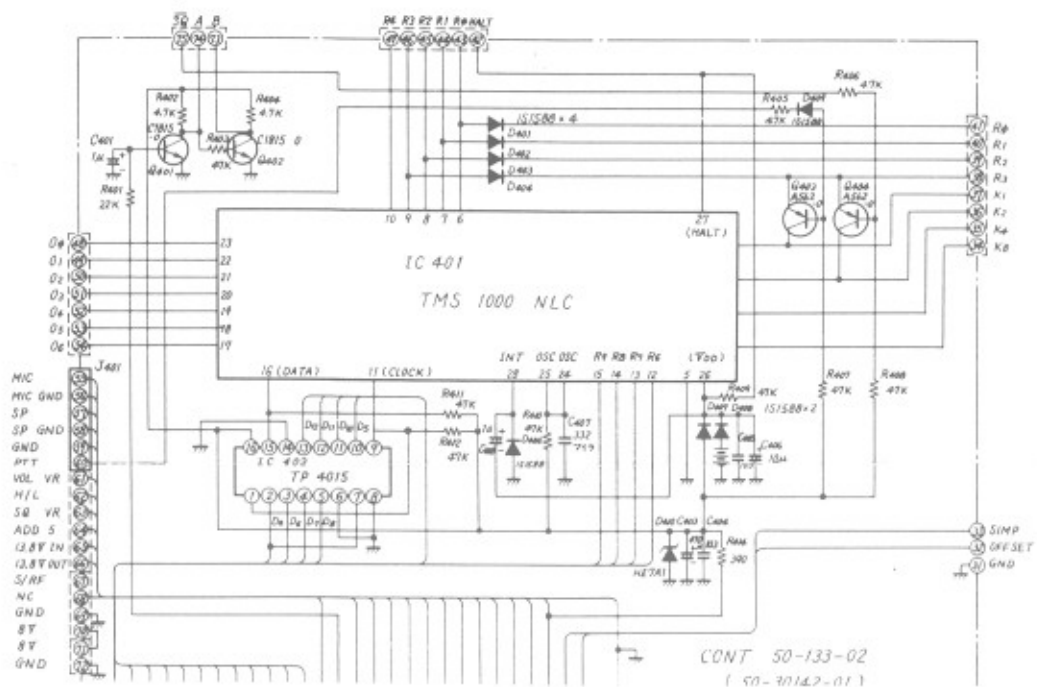
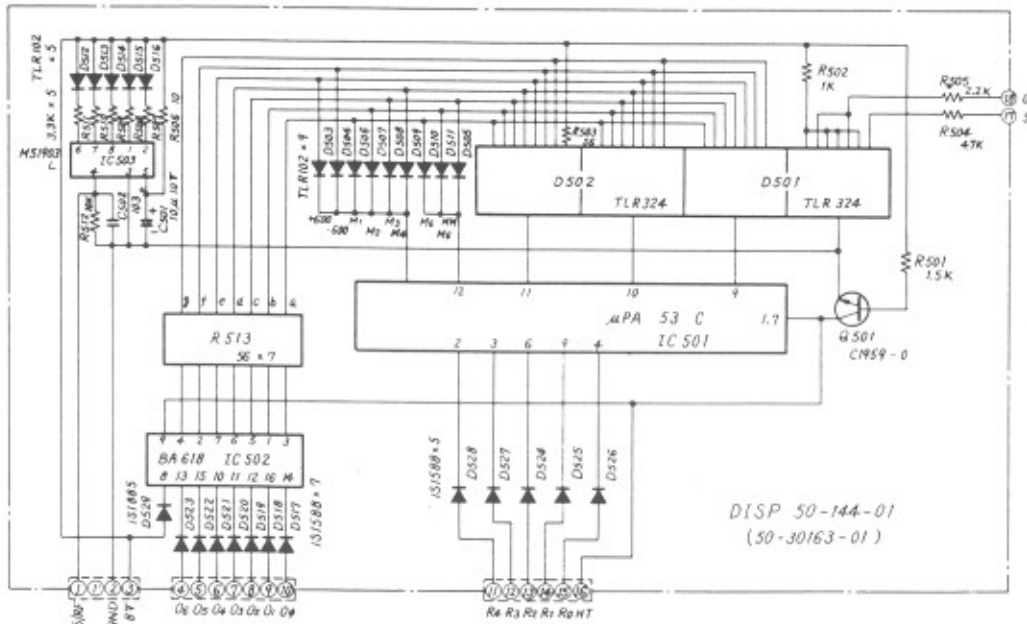
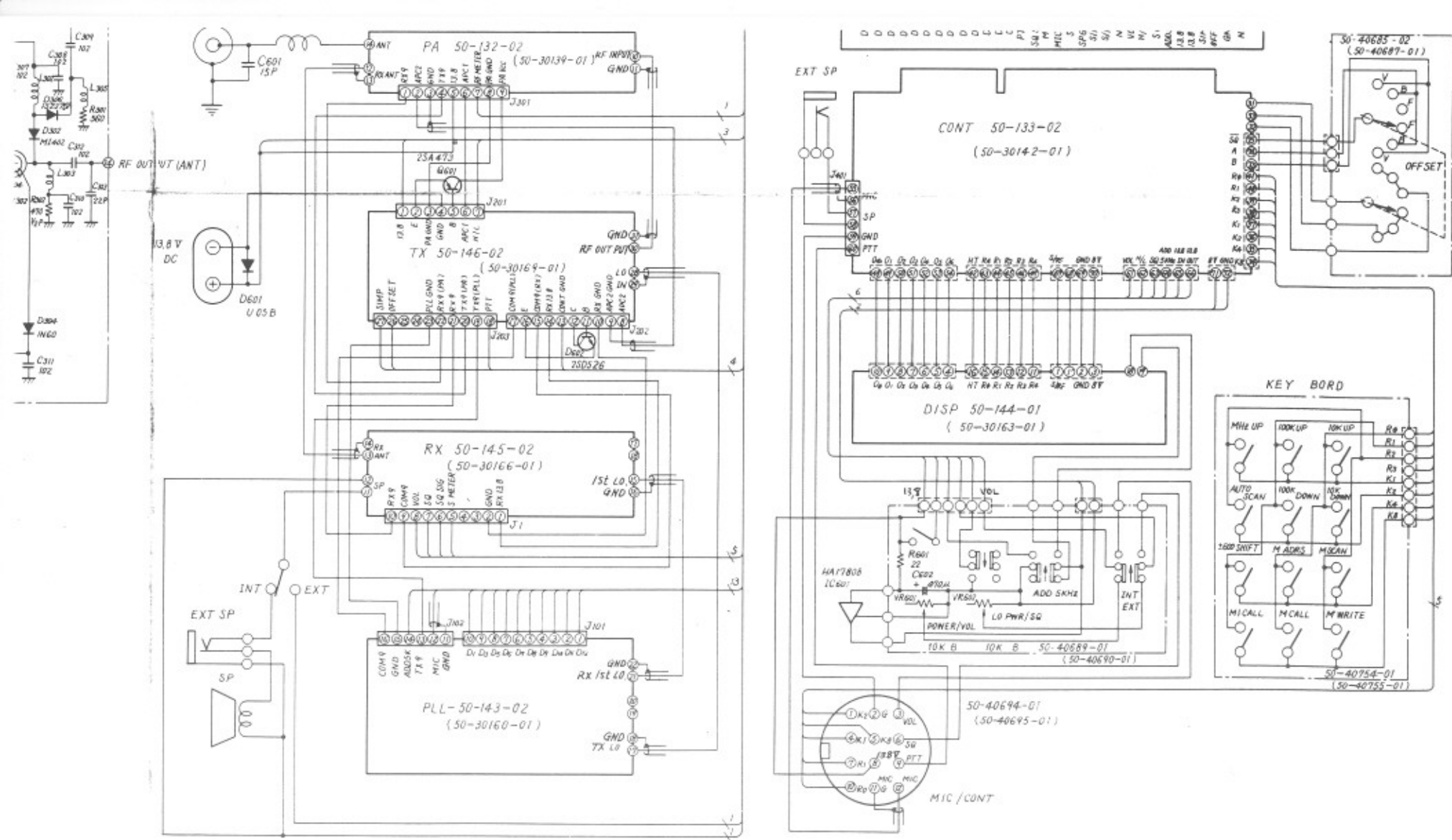


AZDEN®





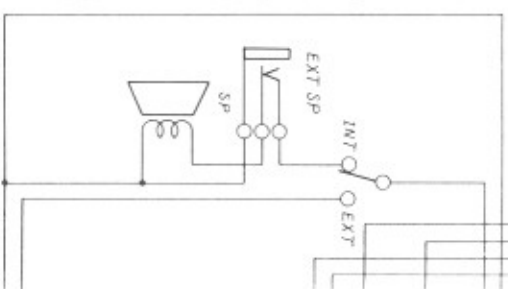
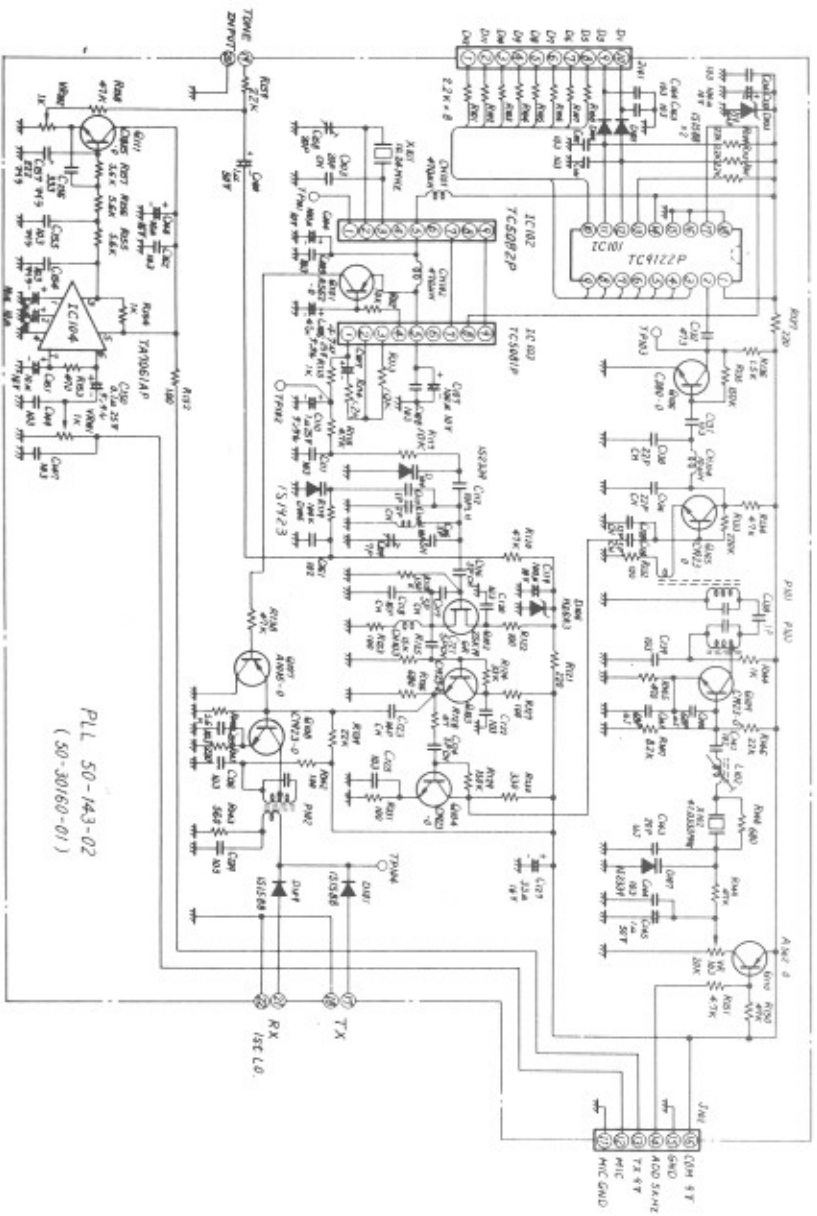
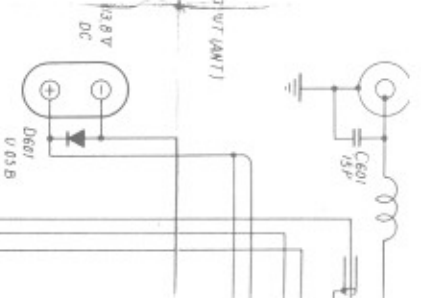
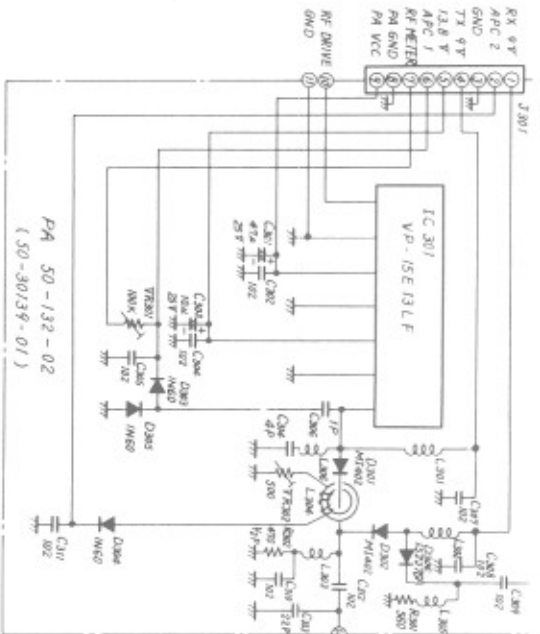
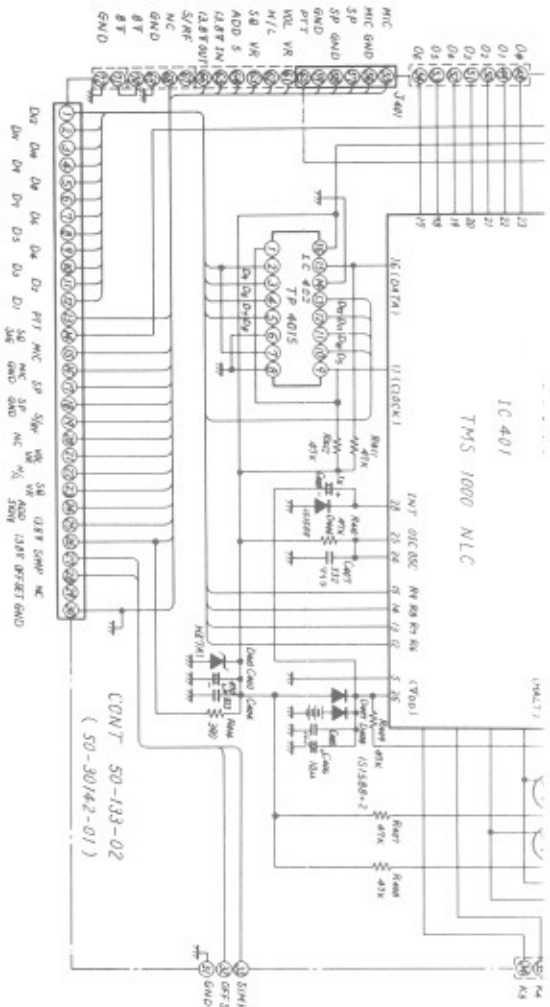
UNIT Ω
 μF

Some components subject to change for an improvement without notice.

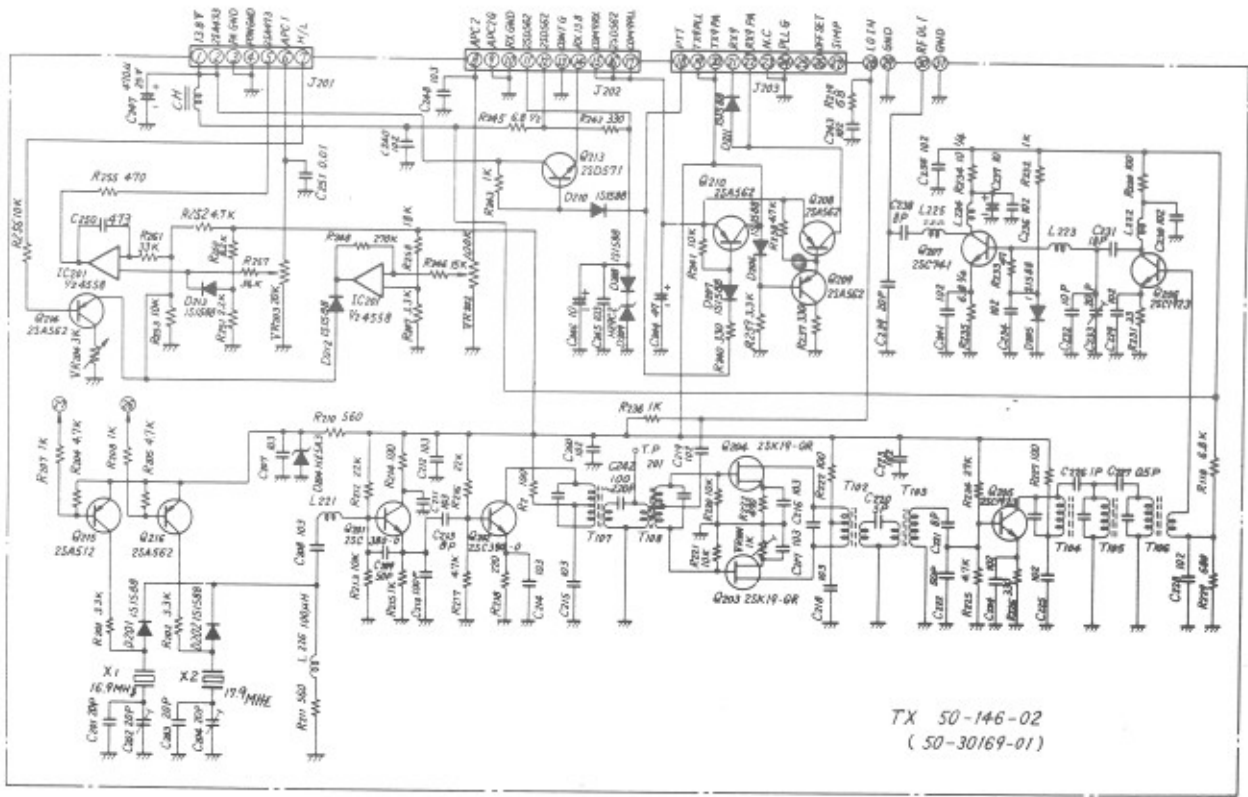
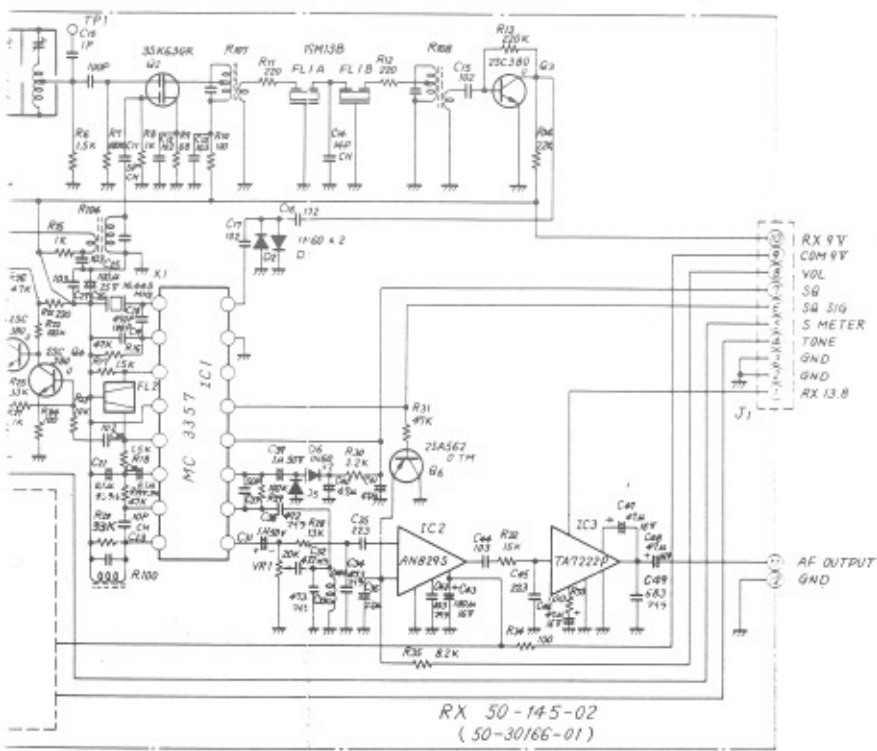
PROCESSING MOBIL TRANSCEIVER

PCS-2000 SCHEMATIC DIAGRAM

SEPT.25-'79 2ND ED.



9 > 9 A: Tantalum



219: Mylar

